

CA10-type (R10) Generator Receptacle for up to 100 kVDC

Industrial style receptacle assembly for R10-type connectors.

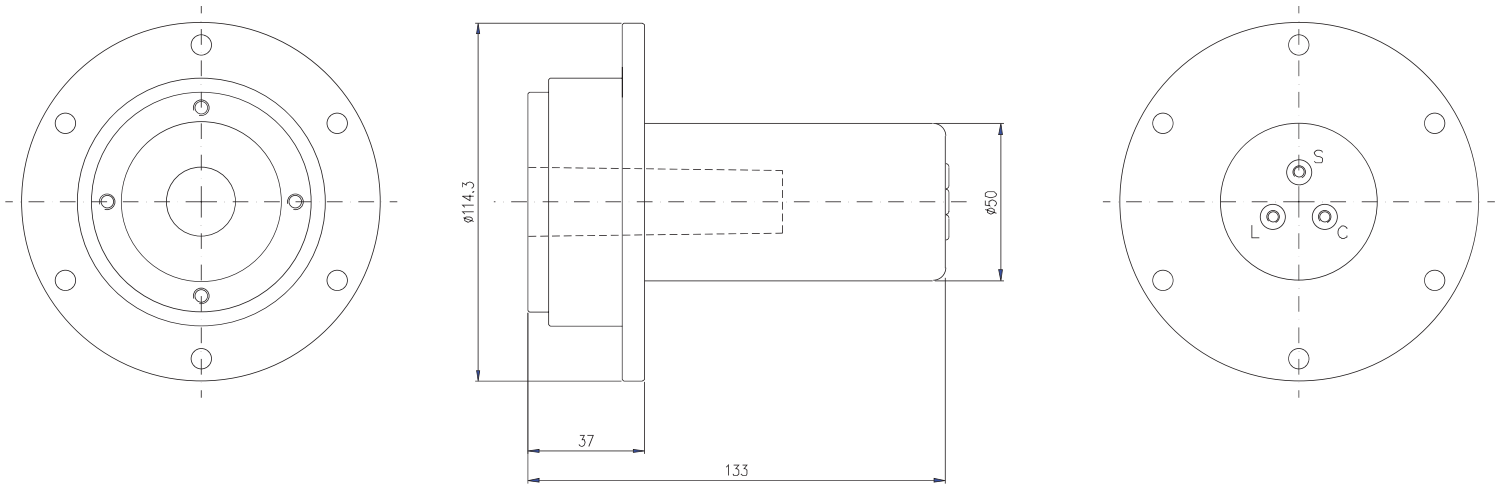
中国代理西安威思曼高压电源 029-33693480 www.wismanhv.com

Features

- Compact (Ø 50mm), light weight (500g) design.
- 120 °C rated.
- UL94-V0 rating.
- No glued joints that may loose mechanical integrity.

Description

This R10 receptacle is a very compact and light-weight design for use in oil, gas or silicone rubber filled enclosures. The insulator has a very small diameter of only 50 mm, and is machined from light weight, high performance, UL94V-0 rated engineering plastic. The light-weight aluminum flange is nickel plated for reliable grounding in industrial environments, and is directly assembled to the insulator body to guarantee long-term mechanical integrity under all conditions (there's no glued joint that may deteriorate under thermal cycling conditions). The receptacle has robust nickel plated spring contacts for reliable operation and excellent seating of connector contact tip.



Technical data

Maximum continuous voltage between contacts and flange	100 kVDC
Maximum continuous voltage between contacts	1,500 VDC / 1,000 VACrms
Maximum continuous current (each contact) @ 20 °C	16 A
Insulation resistance @ 20 °C	Between contacts and flange $\geq 10^{10} \Omega$ Between contacts $\geq 10^{10} \Omega$
Contact resistance @ 20 °C	< 1 m Ω
Maximum continuous operating temperature	120 °C / 248 °F
Storage temperature	-15-70 °C / 5-158 °F
Flame retardancy	UL94V-0
Leakage rate @ 1·10 ⁻⁵ Bar	< 1·10 ⁻⁷ mBar·l/s
Weight	500 g / 1.1 lbs

中国代理西安威思曼高压电源 029-33693480 www.wismanhv.com