



## CA12-type (R24) Connector for up to 225 kVDC

Claymount CA12-type connectors are 3 contact industrial style R24 connectors for up to 225 kVDC, which are type-tested under the severest (aging) conditions. This connector is available in a straight and right-angle version.

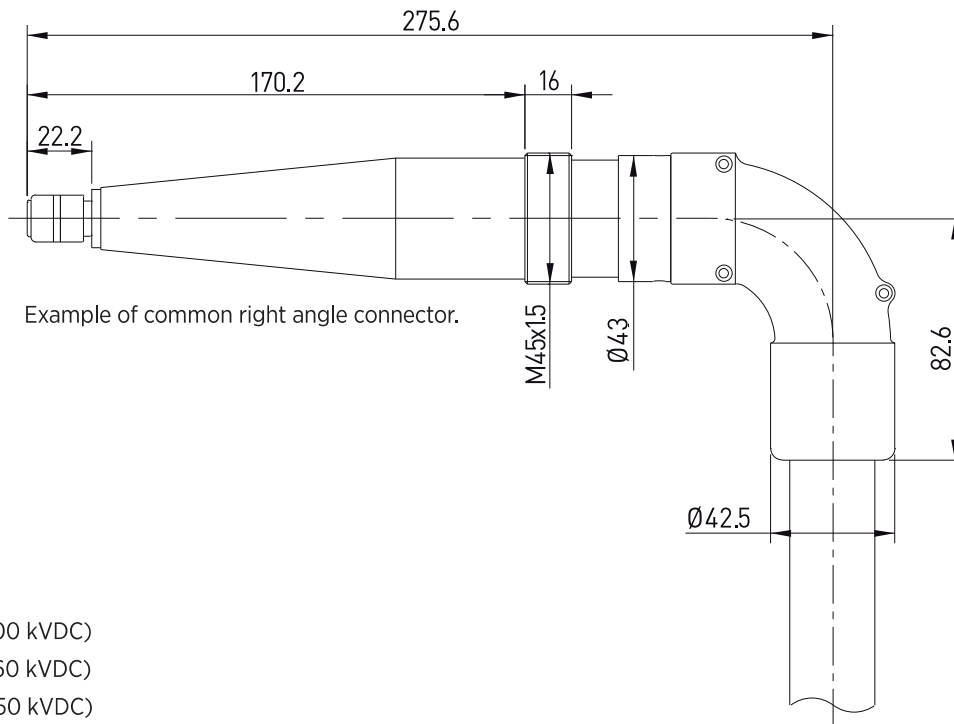
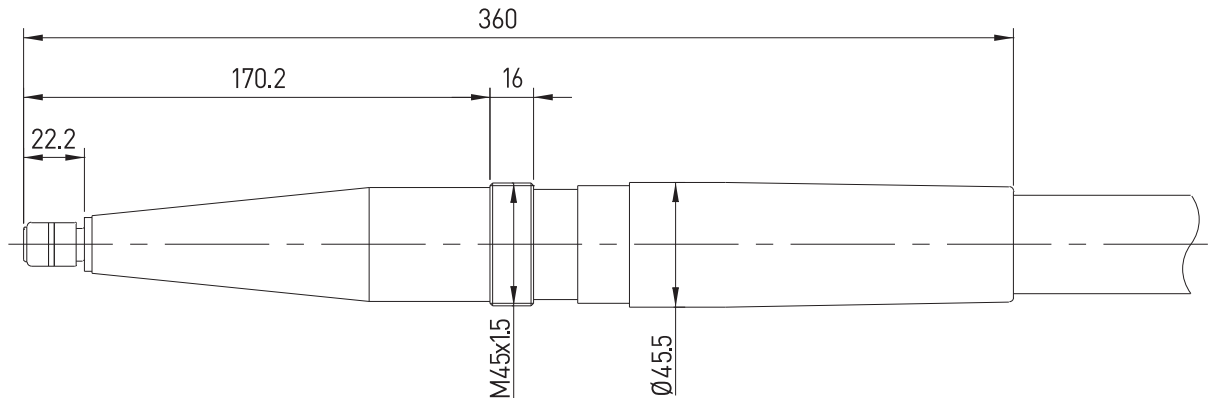
### Features

- A choice of small diameter, highly flexible cables.
- High temperature resistant silver plated contact tip.
- High quality EP rubber with very smooth cone surface.
- Small diameter sleeve with robust diaphragm clamping fixation.
- Robust internal cable fixation and grounding.

### Description

The plug is made of high insulation EP rubber and can be supplied with various types of cable flanges. The cable flange is necessary to install the plug in its receptacle, and needs to be ordered separately. Please consult us for the most suitable type for your application.

When installing the plug in its receptacle, a layer of silicone grease must be applied onto the rubber cone to prevent high voltage arcing along the connector surface. A long-lasting HV-proof installation requires enough compression of the plug. Please inform about our installation guidelines.



#### Cable types

- U3 (3 conductors, 100 kVDC)
- N3 (3 conductors, 160 kVDC)
- P3 (3 conductors, 250 kVDC)

#### Technical data

Number of contacts	3
Rated voltage <sup>1)</sup>	225 kVDC
Maximum continuous operating temperature	90 °C / 194 °F

<sup>1)</sup> Depending on the cable type used.